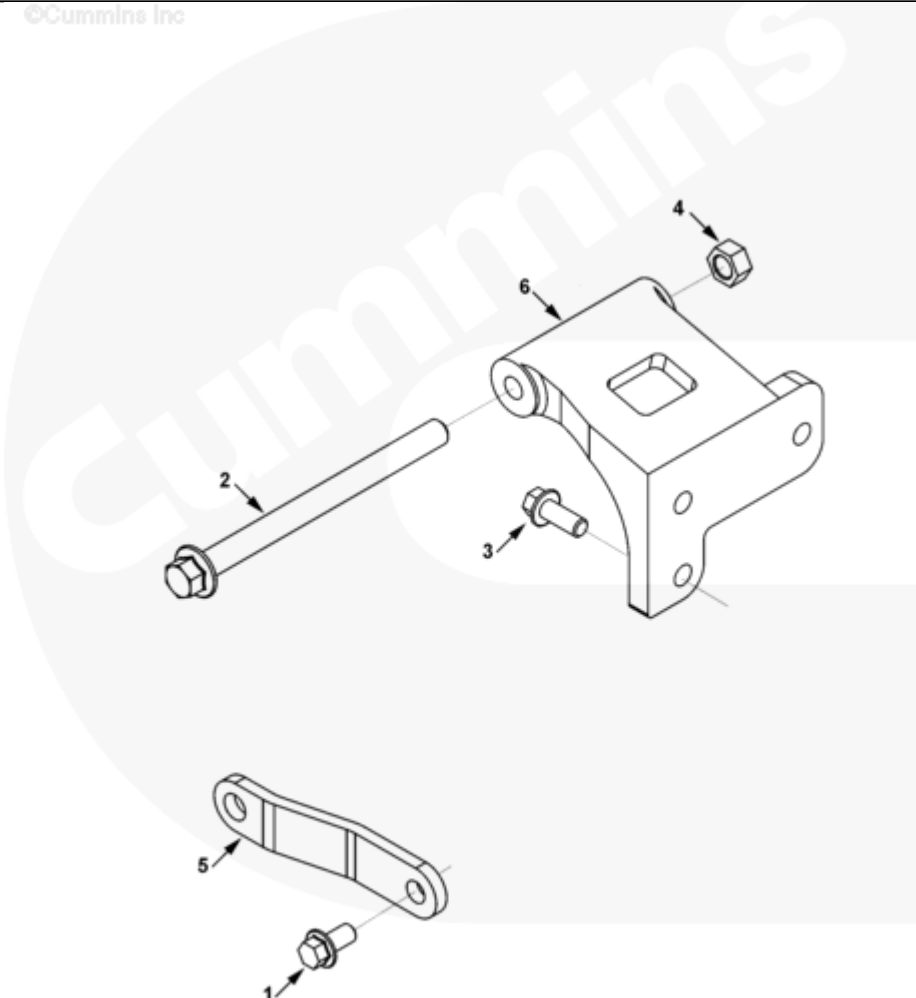




Parts Catalog - Option Detail

Electronic Parts Catalog - Option Detail				
Option	Group	Graphic	Film Card	Date
EH98092	13.02.3	eh975gm	Z	03-JUN-13
Engines	6C8.3, C GAS PLUS CM556, G8.3, G8.3 CM558, GTA8.3 CM558, ISC CM2150, ISC CM554, ISC CM850, ISC8.3 CM2250, ISC8.3 G CM2180 C101, ISL CM2150, ISL CM554, ISL CM850, ISL G CM2180, ISL8.9 CM2150 L110, ISL8.9 CM2880 L112, ISL9 CM2150 SN, ISL9 CM2250, ISL9 CM2350 L101, ISL9 CM2350 L111, ISLE4 CM850, L GAS PLUS CM556, L8.9, L8.9 L121, L8.9G CMOH2.0 L125B, L9 CM2350 L116B, L9 CM2350 L119B, L9 CM2350 L120C, L9 CM2350 L123B, L9.3 L105, L9.5 L117, L9N CM2380 L124B, QSC8.3 CM2250, QSC8.3 CM2880 C102, QSC8.3 CM554, QSC8.3 CM850(CM2850), QSL9 CM2250, QSL9 CM2250 L115, QSL9 CM2350 L102, QSL9 CM2350 L107, QSL9 CM2350 L118, QSL9 CM2350 L122, QSL9 CM554, QSL9 CM850(CM2850), QSL9 G CM558, QSL9 M CM2250 L106, QSL9.3 CM2880 L113			



eh975gm

[SMALL](#) | [MEDIUM](#) | [LARGE](#)

Cart	Ref No	Part Number	Part Description	Required	Remarks
View My Cart					
		EH98092	Alternator Mounting		Alternator Mounting...(More)
					Engine Family: C and L
					Series
					To Suit Alternator
					Manufacturing/Model:
					- Delco 21/22/23/24 SI
					- Prestolite AVI 147
					Alternator Pulley Diameter
					Over 2.5mm Gauge Balls
					(mm): 67.45
					Alternator Pulley Groove Type:
					Poly V 8 Rib K
					Alternator Drive Ratio:
					2.9:1
					Alternator Pulley Location:
					- From Front Face of Block to
					Centerline of First Pulley
					Groove (mm): 57.1
					Crank Pulley Diameter Over
					2.5mm Gauge Balls
					(mm): 199.42
					Supplied: Installed
<input type="checkbox"/>	1	3902460	Hexagon Flange Head Cap Screw	1	M10 X 1.50 X 25.
<input type="checkbox"/>	2	3903105	Hexagon Flange Head Cap Screw	1	M12 X 1.75 X 150.
<input type="checkbox"/>	3	3903112	Hexagon Flange Head Cap Screw	3	M10 X 1.50 X 30.
<input type="checkbox"/>	4	3903210	Hexagon Flange Nut	1	M12 X 1.75.
<input type="checkbox"/>	5	3944312	Alternator Brace	1	

	6	3968112	Alternator Support	1	
--	---	-------------------------	--------------------	---	--

© 2019 Cummins Inc., Box 3005, Columbus, IN 47202-3005 U.S.A.
Terms of Use and Disclaimers | Recommended System Requirements
Need Assistance? Please click on the Contact Us button in the top right corner of any page.